

IM5087

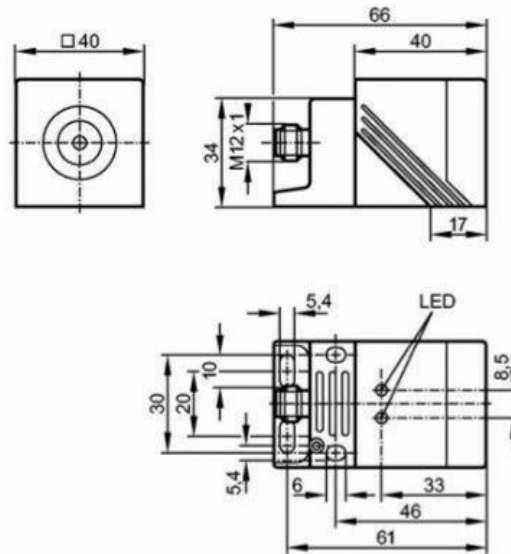
IM5087 IMC4020BCPKG/US

IMC4020BCPKG/US-100-DPA

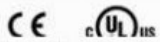
Inductive sensors

no longer available - archive entry

replaced by: IM5123



Made in Germany



Electrical design		DC PNP
Operating voltage	[V]	10...36 DC
Current consumption	[mA]	< 20 (24 V)
Protection class		II
Reverse polarity protection		yes

Outputs

Output function		complementary
Voltage drop	[V]	< 2.5
Current rating	[mA]	250
Short-circuit protection		Yes (non-latching)
Overload protection		yes
Switching frequency	[Hz]	100

Monitoring range

Sensing range	[mm]	20
Real sensing range (Sr)	[mm]	20 ± 10 %
Operating distance	[mm]	0...16.2

Accuracy / deviations

Correction factors		mild steel = 1 / stainless steel approx. 0.8 / brass approx. 0.4 / aluminium approx. 0.4 / copper approx. 0.3
Hysteresis	[% of Sr]	3...15
Switch-point drift	[% of Sr]	-10...10

Environment



IM5087

IMC4020BCPKG/US-100-DPA

Inductive sensors

Ambient temperature	[°C]	-25...70
Protection		IP 67

Tests / approvals

EMC		EN 60947-5-2
-----	--	--------------

Mechanical data

Mounting		flush mountable
Housing materials		housing: PPE; active face: PPE; end cap: diecast zinc; connector housing: brass white bronze coated; bracket: diecast zinc
Weight	[kg]	0.257

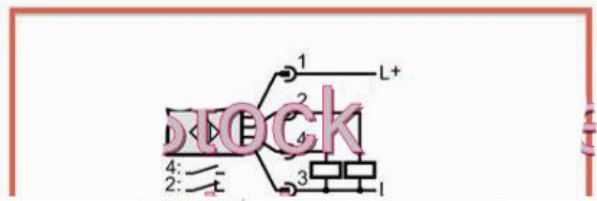
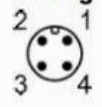
Displays / operating elements

Output status indication	LED	yellow
Power	LED	green

Electrical connection

Connection		M12 connector
------------	--	---------------

Wiring



Pack quantity	[piece]	1
---------------	---------	---

ifm efector, inc. 782 Springdale Drive, Exton, PA 19341 — We reserve the right to make technical alterations without prior notice. — US — IM5087 — 06.03.2003

no longer available - archive entry

replaced by: IM5123