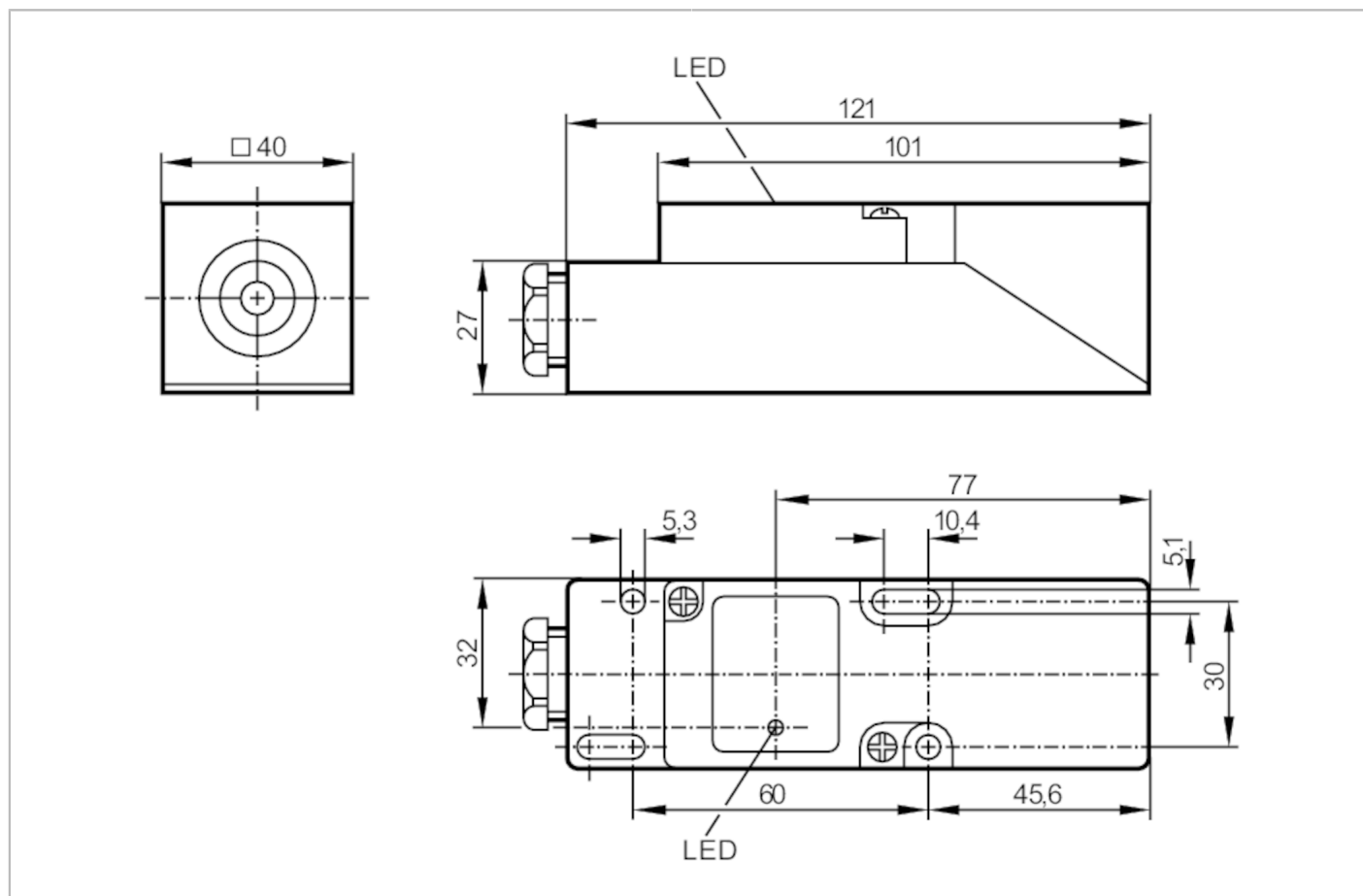


# IM5020



## Inductive sensor

IME3015BFPKG



### Product characteristics

|                   |      |                                      |
|-------------------|------|--------------------------------------|
| Electrical design |      | PNP                                  |
| Output function   |      | normally open / closed; (selectable) |
| Sensing range     | [mm] | 15                                   |
| Housing           |      | rectangular                          |
| Dimensions        | [mm] | 40 x 40 x 120                        |

### Electrical data

|                             |      |            |
|-----------------------------|------|------------|
| Operating voltage           | [V]  | 10...36 DC |
| Current consumption         | [mA] | 15; (24 V) |
| Protection class            |      | II         |
| Reverse polarity protection |      | yes        |

# IM5020



## Inductive sensor

IME3015BFPKG

| Outputs   |                           |  |
|---|---------------------------|--|
| Electrical design                               |                           | PNP  |
| Output function                                 |                           | normally open / closed; (selectable)                                       |
| Max. voltage drop switching output DC           | [V]                       | 2.5  |
| Permanent current rating of switching output DC | [mA]                      | 250  |
| Switching frequency DC                          | [Hz]                      | 250  |
| Short-circuit protection                        |                           | yes  |
| Type of short-circuit protection                |                           | yes (non-latching)   |
| Overload protection                             |                           | yes  |
| Monitoring range                                |                           |  |
| Sensing range                                   | [mm]                      | 15   |
| Real sensing range Sr                           | [mm]                      | 15 ± 10 %  |
| Operating distance                              | [mm]                      | 0...12.1   |
| Accuracy / deviations                           |                           |  |
| Correction factor                               |                           | steel: 1 / stainless steel: 0.7 / brass: 0.4 / aluminum: 0.3 / copper: 0.2 |
| Hysteresis                                      | [% of Sr]                 | 1...15   |
| Switch-point drift                              | [% of Sr]                 | -10...10   |
| Operating conditions                            |                           |  |
| Ambient temperature                             | [°C]                      | -25...80   |
| Protection                                      |                           | IP 65  |
| Tests / approvals                               |                           |  |
| EMC   | EN 61000-4-2 ESD          | 4 kV CD  |
|   | EN 61000-4-3 HF radiated  | 3 V/m  |
|   | EN 61000-4-4 Burst        | 2 kV   |
|   | EN 61000-4-6 HF conducted | 3 V  |
|   | EN 55011                  | class B  |
| MTTF  | [years]                   | 2234   |
| UL approval                                     | Ta                        | 0...40 °C  |
|   | Enclosure type            | Type 1   |
|   | voltage supply            | Hazardous voltage  |
|   | File number UL            | E174191  |
| Mechanical data                                 |                           |  |
| Weight  | [g]                       | 191  |
| Housing   |                           | rectangular  |
| Mounting  |                           | flush mountable  |
| Dimensions                                      | [mm]                      | 40 x 40 x 120  |
| Material  |                           | PPE  |
| Displays / operating elements                   |                           |  |
| Display   | Switching status          | 1 x LED, yellow  |
| Remarks   |                           |  |
| Pack quantity                                   |                           | 1 pcs.   |

# IM5020



## Inductive sensor

IME3015BFPKG

### Electrical connection

terminals: ...2.5 mm<sup>2</sup>; Cable sheath: Ø 7...13 mm; Cable gland: M20 X 1.5

### Connection

