

no longer available - archive entry Alternative article: IM0055

When selecting an alternative article and accessories please note that technical data may differ!

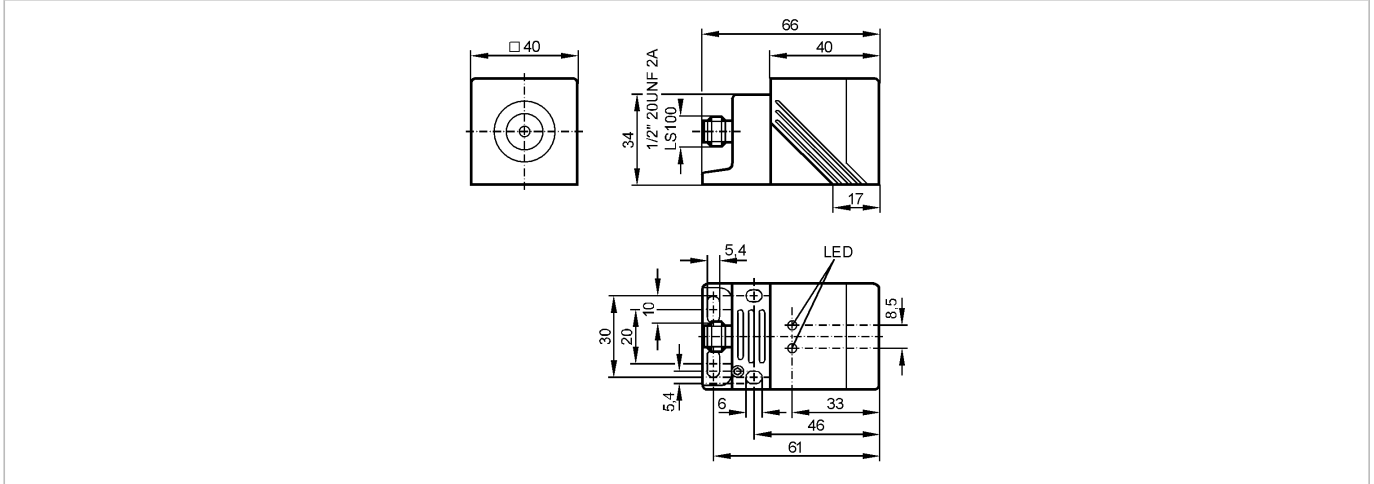
efectorio

IM0043



IMC2015-ARKA/LS-100AK/CSA

Inductive sensors



Product characteristics

Inductive sensor

Rectangular, plastics

Quick disconnect

Sensing range 15 mm; [f] flush mountable

Electrical data

Electrical design

AC/DC

Operating voltage [V]

20...140 AC / 10...140 DC (47...63 Hz AC)

Protection class

I

Reverse polarity protection

yes

Outputs

Output function

normally open

Voltage drop [V]

< 5.5

Minimum load current [mA]

5.5

Leakage current [mA]

< 1.7 (140 V AC/DC)

Current rating

- Current rating (continuous) [mA]

450

- Current rating (peak) [mA]

\hat{i} : 2.2 A (20 ms / 0.5 Hz)

Short-circuit protection

yes (non-latching)

Overload protection

yes

Switching frequency [Hz]

25 AC / 100 DC

Monitoring range

Sensing range [mm]

15

Real sensing range (Sr) [mm]

15 \pm 10 %

Operating distance [mm]

0...12.1

Accuracy / deviations

Correction factors

mild steel = 1 / stainless steel approx. 0.7 / brass approx. 0.4 / aluminium approx. 0.3 / copper approx. 0.2

Hysteresis [% of Sr]

1...15

Switch-point drift [% of Sr]

-10...10

Environment

Ambient temperature [°C]

-25...70

Protection

IP 67

Tests / approvals

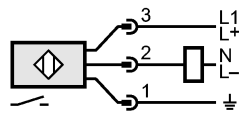
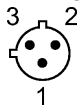
EMC

EN 60947-5-2

IM0043 - Inductive sensor - eclass: 27270101 / 27-27-01-01

	EN 55011:	class B
Mechanical data		
Mounting		flush mountable
Housing materials		PBT; active face: Noryl
Weight [kg]		0.137
Displays / operating elements		
Output status indication LED		red
Power LED		green
Function display LED		green and red flashing alternately (short-circuit)
Electrical connection		
Connection		1/2" connector

Wiring



Remarks		
Remarks		5 positions of the active zone possible
Pack quantity [piece]		1

ifm efector, inc. • 1100 Atwater Drive • Malvern • PA 19355 — We reserve the right to make technical alterations without prior notice. — US — IM0043 — 06.03.2003

no longer available - archive entry Alternative article: IM0055

When selecting an alternative article and accessories please note that technical data may differ!