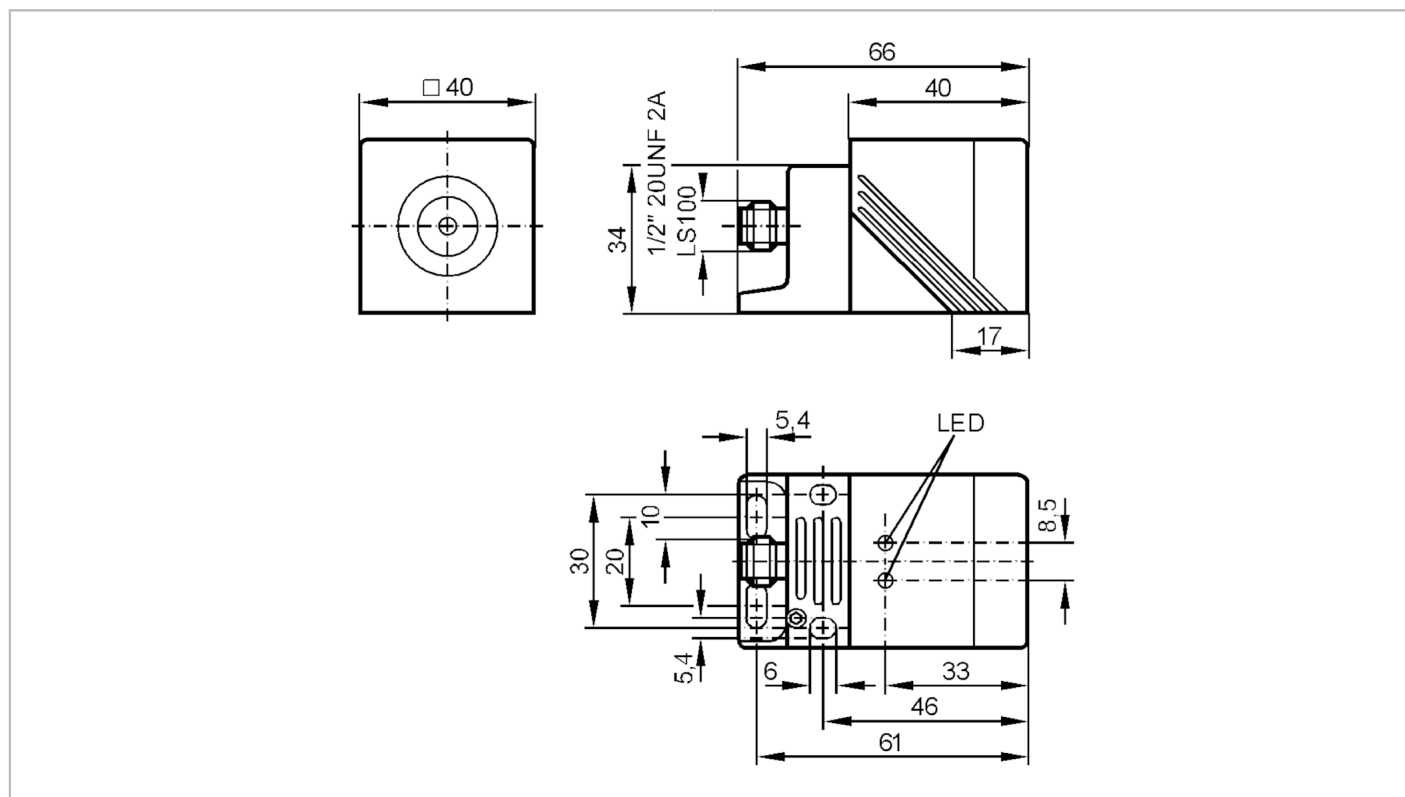


# IM0041



## Inductive sensor

IMC2035-ARKA/LS-100AK



Product characteristics	
Output function	normally open
Sensing range [mm]	35
Housing	rectangular
Application	
System	Increased sensing range
Electrical data	
Frequency AC [Hz]	47...63
Operating voltage [V]	20...140 AC / 10...140 DC
Protection class	I
Reverse polarity protection	yes

# IM0041



## Inductive sensor

IMC2035-ARKA/LS-100AK

Outputs		
Output function		normally open
Max. voltage drop switching output DC [V]		5.5
Max. voltage drop switching output AC [V]		5.5
Minimum load current [mA]		5.5
Max. leakage current [mA]		1.7 (140 V AC/DC)
Short-time current rating of switching output [mA]		2200; (20 ms / 0,5 Hz)
Switching frequency AC [Hz]		25
Switching frequency DC [Hz]		100
Short-circuit protection		yes
Type of short-circuit protection		yes (non-latching)
Overload protection		yes
Monitoring range		
Sensing range [mm]		35
Operating distance [mm]		0...28.3
Increased sensing range		yes
Accuracy / deviations		
Correction factor		steel: 1 / stainless steel: 0.7 / brass: 0.4 / aluminum: 0.4 / copper: 0.3
Hysteresis [% of Sr]		3...15
Operating conditions		
Ambient temperature [°C]		-25...70
Protection		IP 67
Tests / approvals		
EMC		EN 60947-5-2
MTTF [years]		353
UL approval	Ta	0...40 °C
	Enclosure type	Type 1
	voltage supply	Hazardous voltage
	File number UL	E174191
Mechanical data		
Weight [g]		20.9
Housing		rectangular
Mounting		non-flush mountable
Material		PPE; clamp: diecast zinc
Displays / operating elements		
Display	Switching status	1 x LED, red
	Power	1 x LED, green
Remarks		
Remarks		5 positions of the active zone possible
Pack quantity		1 pcs.

# IM0041



## Inductive sensor

IMC2035-ARKA/LS-100AK

### Electrical connection - plug

Connector: 1 x 1/2"; Locking: brass

