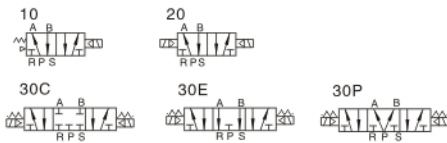


Solenoid valve (5/2 、 5/3 way)

4V300 Series



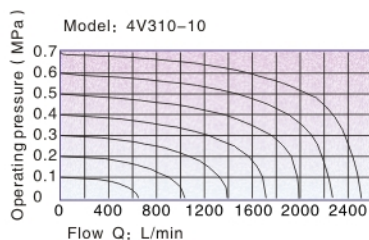
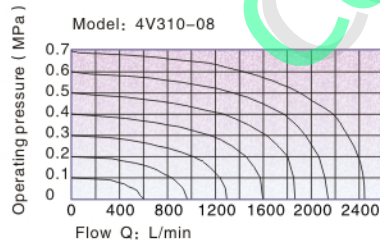
Symbol



Product feature

- 1、Pilot-oriented mode: optional for internal or external;
- 2、Structure in sliding column mode: good tightness and sensitive reaction;
- 3、Three position solenoid valves have three kinds of central function for your choice;
- 4、Double control solenoid valves have memory function;
- 5、Internal hole adopts special processing technology which has little attrition friction, low start pressure and long service life;
- 6、No need to add oil for lubrication;
- 7、It is available to form integrated valve group with the base to save installation space;
- 8、Affiliated manual devices are equipped to facilitate installation and debugging;
- 9、Several standard voltage grades are optional;

Flow chart



Specification

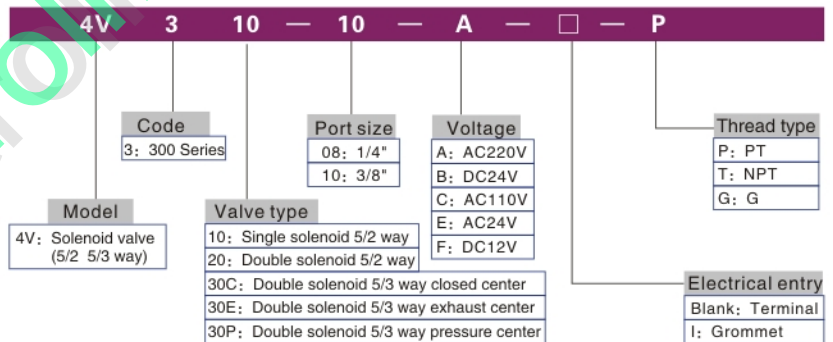
Model	4V310-08 4V320-08	4V330C-08 4V330E-08 4V330P-08	4V310-10 4V320-10	4V330C-10 4V330E-10 4V330P-10
Fluid	Air(to be filtered by 40um filter element)			
Acting	Piloted			
Port size ①	In=Out=Exhaust=1/4"		In=Out =3/8"	Exhaust=1/4"
Orifice size	25.0mm ² (Cv=1.40)	18.0mm ² (Cv=1.00)	30.0mm ² (Cv=1.68)	18.0mm ² (Cv=1.00)
Valve type	5 port 2 position	5 port 3 position	5 port 2 position	5 port 3 position
Operating pressure	0.15~0.8MPa(21~114Psi)			
Proof pressure	1.5MPa(215Psi)			
Temperature °C	-20~70			
Material of body	Aluminum alloy			
Lubrication ②	Not required			
Max. frequency ③	4 cycle/sec	3 cycle/sec	4 cycle/sec	3 cycle/sec
Weight	4V310-08:310g 4V320-08:400g	450g	4V310-10:310g 4V320-10:400g	450g

- ① PT thread、NPT thread and G thread are available;
- ② It can not stop in the midway of lubricating. Lubricants like ISO VG32 or equivalent are recommended;
- ③ The maximum actuation frequency is in the no-load state.

Coil specification

Item	Specification
Standard voltage	AC220V、AC110V、AC24V、DC24V、DC12V
Scope of voltage	AC: ± 15% DC: ± 10%
Power consumption	AC: 3.5VA DC : 3.0W
Protection	IP65 (DIN40050)
Temperature classification	B Class
Electrical entry	Terminal、Grommet
Activating time	0.05 sec and below

Ordering code



Please refer to PI-34 for manifold specification and the order way.

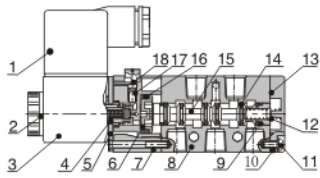


Solenoid valve (5/2 , 5/3 way)

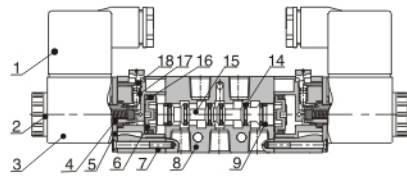
4V300 Series

Inner structure

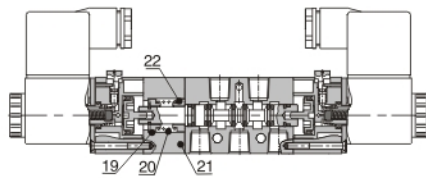
4V310



4V320



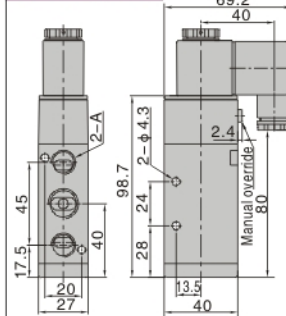
4V330C



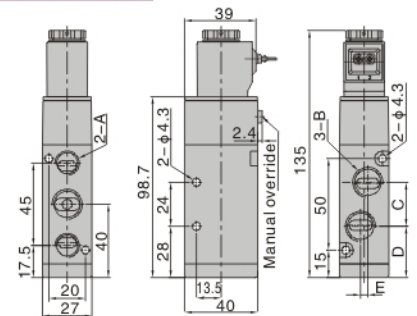
NO.	Item	NO.	Item	NO.	Item
1	Connector	9	Wear ring	17	Override spring
2	Coil nut	10	Bottom cover	18	Manual override
3	Coil	11	Fixed screw	19	Spring holder
4	Armature	12	Spool spring	20	Return spring
5	Fixed plate	13	Bottom cover gasket	21	Side cover
6	Piston	14	Spool O-ring	22	Spring holder
7	Pilot kit	15	Spool		
8	Body	16	Piston O-ring		

Dimensions

4V310(Terminal)

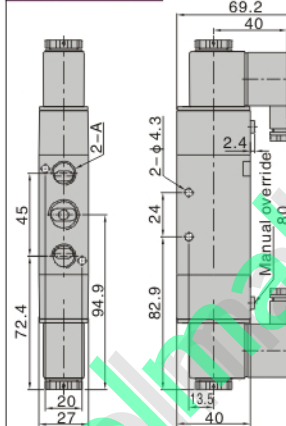


4V310(Grommet)

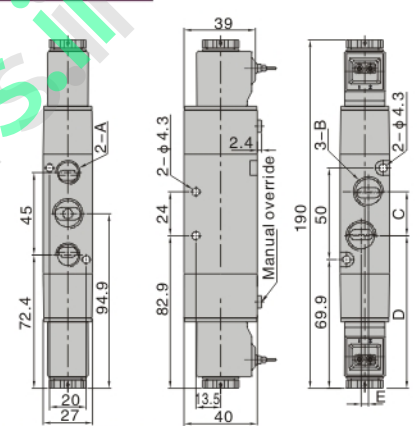


Model\Item	A	B	C	D	E
4V310-08	1/4"	1/4"	22	29	0
4V310-10	1/4"	3/8"	24	28	4

4V320(Terminal)

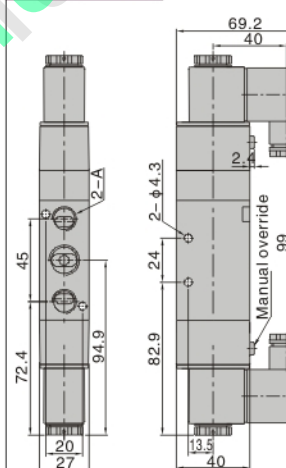


4V320(Grommet)

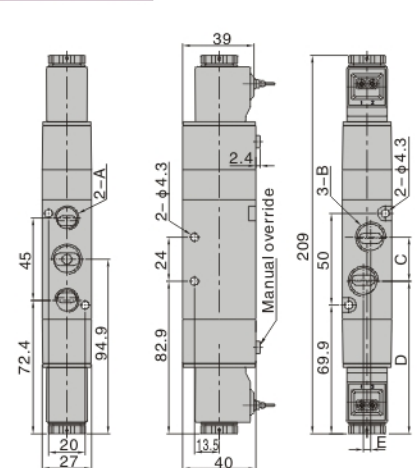


Model\Item	A	B	C	D	E
4V320-08	1/4"	1/4"	22	83.9	0
4V320-10	1/4"	3/8"	24	82.9	4

4V330(Terminal)



4V330(Grommet)



Model\Item	A	B	C	D	E
4V330-08	1/4"	1/4"	22	83.9	0
4V330-10	1/4"	3/8"	24	82.9	4