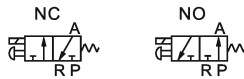


# Solenoid valve(3/2 way)

## 3V2M Series



### Symbol



### Product feature

1. Direct acting type and normally closed mode, flexible in direction change.
2. Normally closed and normally open types are optional.
3. Structure in coaxial blanking mode: leakage proof and large air flow.
4. No need to add oil for lubrication.
5. Affiliated manual devices are equipped to facilitate installation and debugging.
6. Valve needs to be used with the sub-base and allows various connection combinations to save space.
7. It is easy to examine when there are faults owing to the unified air intake and exhaust and unified wiring.
8. Flexible combination and strong expansion capability can make any combination or expansion of the numbers of direction control valves that are connected.
9. Can adjust the installation direction of special sub-base seal for NO or NC functions.

### Specification

| Model              | 3V2M  |
|--------------------|---|
| Fluid              | Air(to be filtered by 40 μm filter element) |
| Acting             | Direct acting                               |
| Port size [Note1]  | 1/8"  |
| Valve type         | 3 port 2 position                           |
| Orifice size       | 1.7mm <sup>2</sup> (Cv=0.1)                 |
| Exhaust type       | Centralized exhaust □ Separated exhaust     |
| Operating pressure | 0~0.8MPa(0~114psi)                          |
| Proof pressure     | 1.2MPa(175psi)                              |
| Temperature        | -20~70°C                                    |
| Material of body   | Aluminum alloy                              |

[Note1] G thread is available.

### Coil specification

| Item                       | specification                       |
|----------------------------|-------------------------------------|
| Standard voltage           | AC220V, AC110V, AC24V, DC24V, DC12V |
| Scope of voltage           | AC: ± 15% DC: ± 10%                 |
| Power consumption          | AC: 7VA DC: 7.0W                    |
| Protection                 | IP65(DIN40050)                      |
| Temperature classification | B Class                             |
| Electrical entry           | Terminal, Grommet                   |
| Activating time            | 0.05 sec and below                  |
| Max. frequency [Note1]     | 10 cycle/sec                        |

[Note1] The maximum actuation frequency is in the no-load state.

### Ordering code

#### Ordering code for valve

3V2M NC A □



| ①Model                                       | ②Acting type                               | ③Standard voltage  | ④Electrical entry                   |
|--|--|--|-------------------------------------|
| 3V2M: Solenoid valve(3/2 way, with manifold) | NC: Normally closed<br>NO: Normally opened | A: AC220V<br>B: DC24V<br>C: AC110V<br>E: AC24V<br>F: DC12V | Blank: Terminal<br>I: Grommet[Note] |

[Note] The wire length is 0.5m.

#### Ordering code for manifold

3V2M 5F D G



| ①Model                                       | ②Number of stations   | ③Exhaust type   | ④Thread type |
|--|---|---|--------------|
| 3V2M: Solenoid valve(3/2 way, with manifold) | 1F: 1 Stations<br>2F: 2 Stations<br>.....<br>20F: 20 Stations | Blank:<br>Centralized exhaust<br>D: Separated exhaust | G: G Thread  |

[Note]: Manifold kits contains manifold, seal and screw.  
The port size is only 1/8".

#### Ordering code for valve's group(valve+manifold)

3V2M NC A □ - 5F D G



| ①Model  | ②Acting type                               | ③Standard voltage  | ④Electrical entry             | ⑤Number of stations  | ⑥Exhaust type                                      | ⑦Thread type |
|---|--|--|-------------------------------|--|--|--------------|
| 3V2M: Solenoid valve (3/2 way, with manifold) | NC: Normally closed<br>NO: Normally opened | A: AC220V<br>B: DC24V<br>C: AC110V<br>E: AC24V<br>F: DC12V | Blank: Terminal<br>I: Grommet | 1F: 1 Station<br>2F: 2 Stations<br>3F: 3 Stations<br>.....<br>20F: 20 Stations | Blank: Centralized exhaust<br>D: Separated exhaust | G: G Thread  |

#### Ordering code for blank plate

P-3V2M-R2



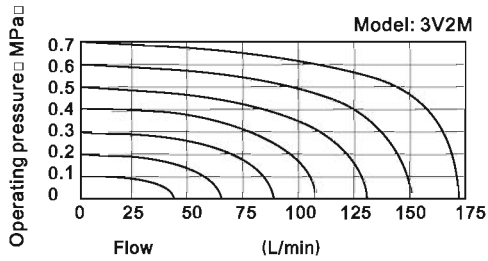
| ①Subassembly type | ②Valve type                                  | ③Accessories type            |
|-------------------|--|------------------------------|
| P: subassembly    | 3V2M: Solenoid valve(3/2 way, with manifold) | R2: Blank plate for manifold |

[Note]: Blank plate kits contains blank plate and screw.

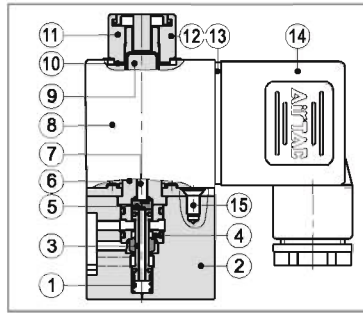
# Solenoid valve(3/2 way)

## 3V2M Series

### Flow chart



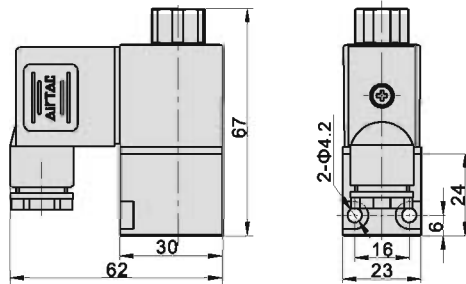
### Inner structure



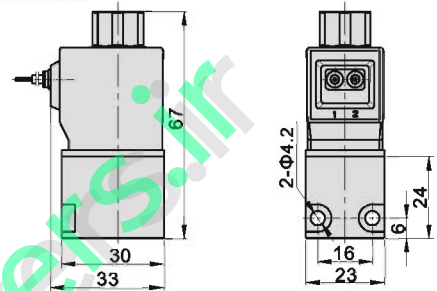
| No. | Item              | No. | Item          |
|-----|-------------------|-----|---------------|
| 1   | Spring            | 9   | Armature      |
| 2   | Body              | 10  | Washer        |
| 3   | Spool             | 11  | Coil nut      |
| 4   | Spacer            | 12  | Manual button |
| 5   | Washer            | 13  | Gasket        |
| 6   | Electromagnet set | 14  | Connector     |
| 7   | Man drill         | 15  | Pilot screw   |
| 8   | Coil              |     |               |

### Dimensions

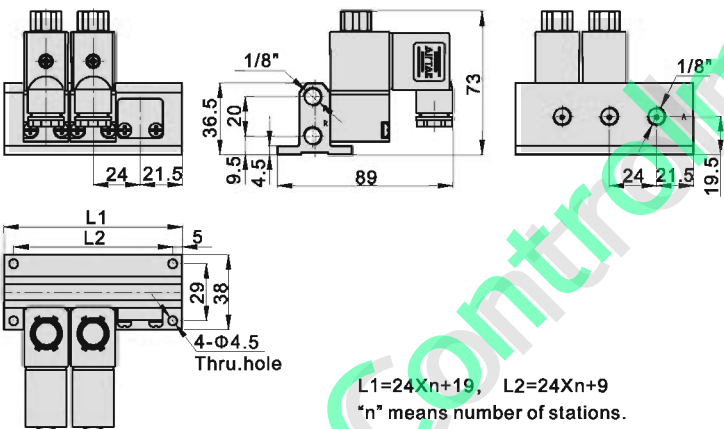
#### Valve(Terminal)



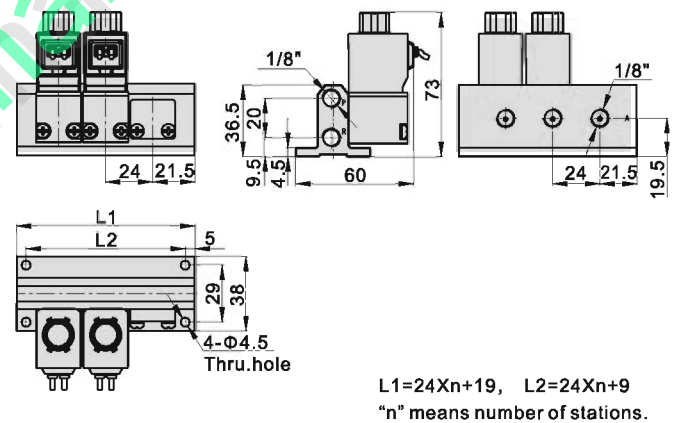
#### Valve(Grommet)



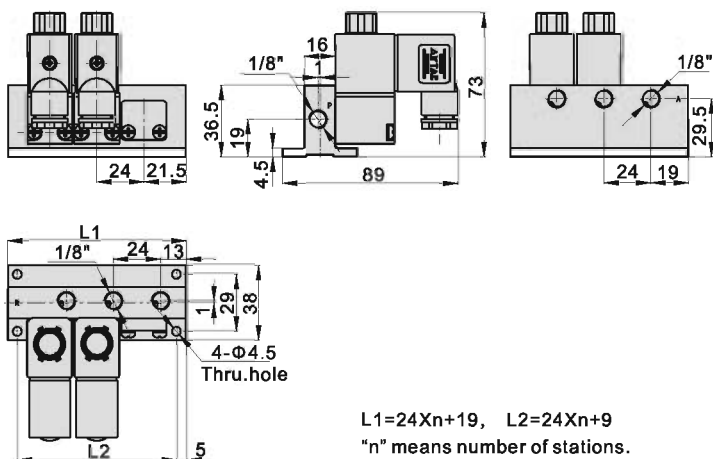
#### Valve's group(Terminal, Centralized exhaust)



#### Valve's group(Grommet, Centralized exhaust)



#### Valve's group(Terminal, Separated exhaust)



#### Valve's group(Grommet, Separated exhaust)

